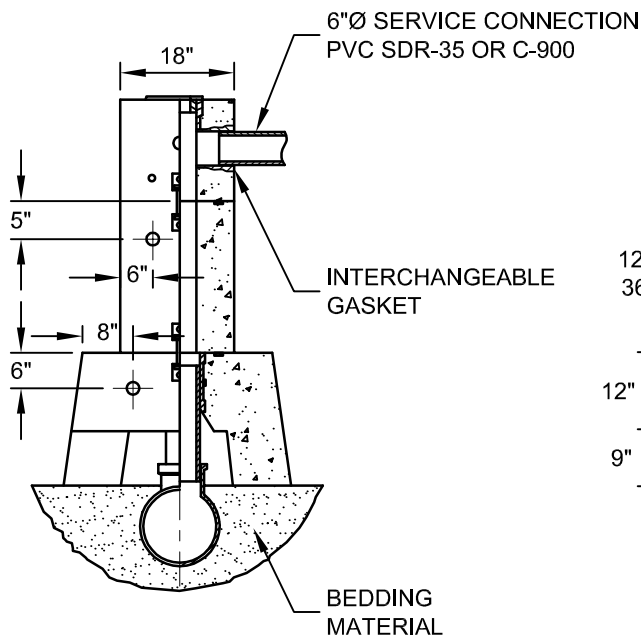
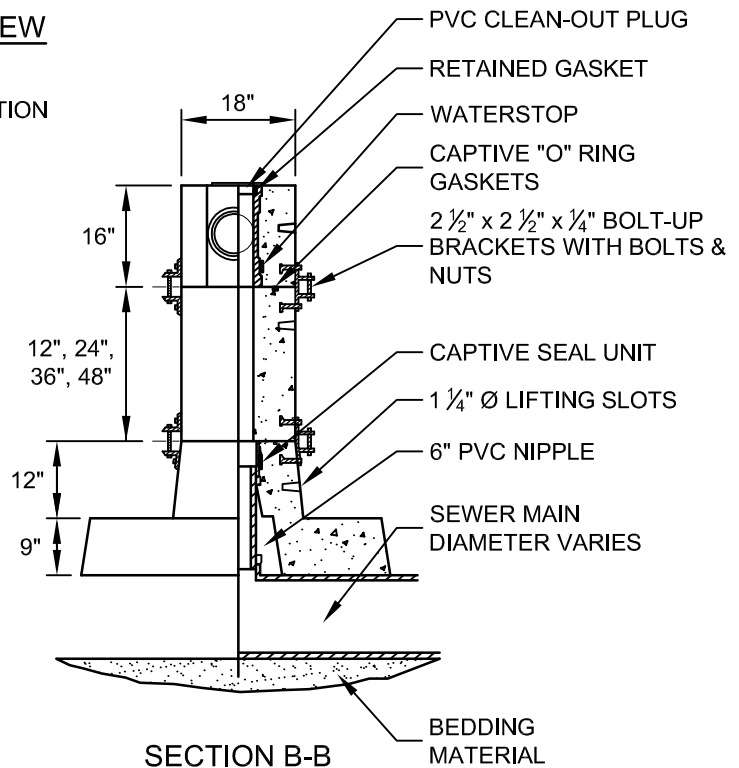


**PLAN VIEW**



**SECTION A-A**



**SECTION B-B**

**NOTES:**

1. CONCRETE STRENGTH TO BE 5,000 PSI @ 28 DAYS WITH DENSITY OF 150 PCF
2. CEMENT PER ASTM C150-81
3. REINFORCING PER ASTM A615
4. PVC FOTTINGS PER ASTM D3034
5. MADE NY SUPERIOR PRODUCTS INC. OR APPROVED EQUAL.

Dwg. No. S-4		Precast Sewer Chimney			Date: May 2014
Revision	Date	Drawn	Scale	Description	
Sanitary Sewer Construction Standards					<h1>Norwich Public Utilities</h1>