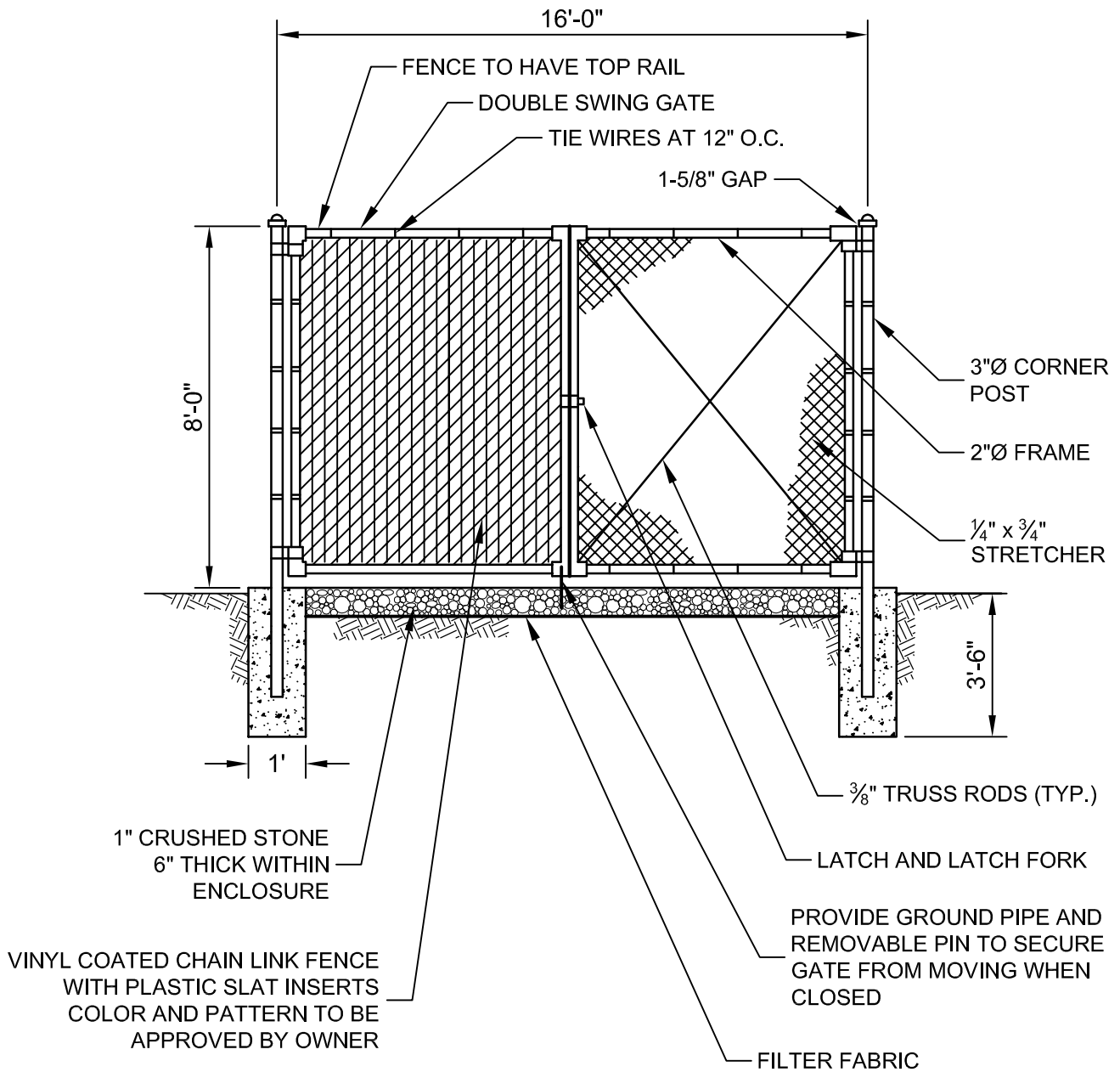



NOTE:
 CHAIN LINK FENCE MATERIALS AND CONSTRUCTION SHALL CONFORM TO SECTION
 M.10.15 AND SECTION 9.13.03 OF CTDOT STANDARD SPECIFICATION FORM 816 AS AMENDED



Dwg. No. PS-6		Pump Station Equipment Enclosure Fencing			Date: May 2014
Revision	Date	Drawn	Scale	Description	
Sanitary Sewer Construction Standards					
Norwich Public Utilities					